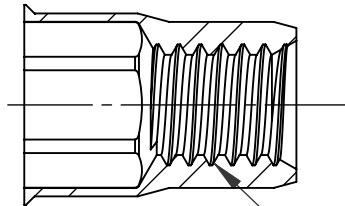
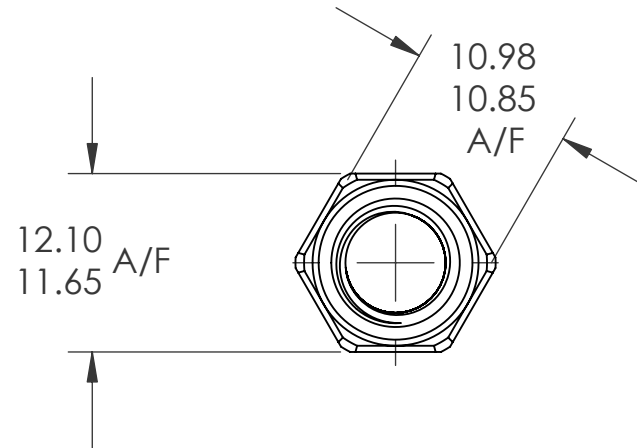
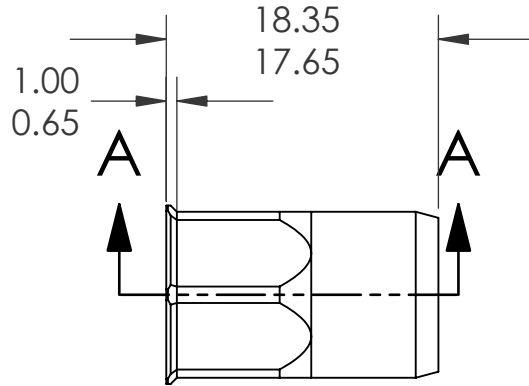
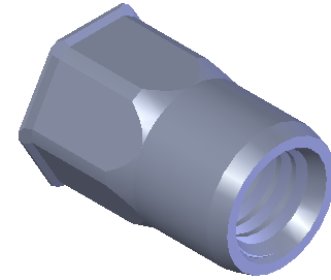


REVISIONS			
REV.	DESCRIPTION	DATE	ECN
C	UPDATED MATERIAL	10/15/08	1104



SECTION A-A

5/16-18 UNC 2B  
PER ASME B1.1  
MINOR DIA.: .252 - .265




NOTE:

- GRIP RANGE: 0.5 - 3.0
- HOLE SIZE: 11.0 +0.1/-0.0 A/F AFTER ALL APPLIED FINISHES.
- INSTALLED LENGTH: N/A
- LUBRICATION: NONE
- INSTALLATION TOOL: MS 50 SPIN PULL

**PROPRIETARY AND CONFIDENTIAL**

THIS DRAWING, AND THE INFORMATION CONTAINED HEREIN, ARE THE PROPERTY OF SHEREX AND ARE NOT TO BE USED IN ANY MANNER DETRIMENTAL TO THE INTEREST OF THE COMPANY.  
SHEREX SOLUTIONS RESERVES THE RIGHT TO REVISE PART/DRAWING WITHOUT NOTICE.

		UNLESS OTHERWISE SPECIFIED:		NAME	DATE	
		DIMENSIONS ARE IN MILLIMETERS TOLERANCES: ANGULAR: MACH ± 1 BEND ± 1 ONE PLACE DECIMAL ± 0.10 TWO PLACE DECIMAL ± 0.05	DRAWN	TOO	3/16/06	
		INTERPRET GEOMETRIC TOLERANCING PER: ASME Y14.5M-1994	CHECKED			TITLE: LOW PROFILE, SEMI HEX, OPEN END
		MATERIAL 304 STAINLESS	ENG APPR.	TOO	3/16/06	
		FINISH PASSIVATE	MFG APPR.	AJP	3/16/06	SIZE DWG. NO.      REV <b>A</b> TU-SS3118HUKO30      C
NEXT ASSY	USED ON		Q.A.			
APPLICATION		DO NOT SCALE DRAWING	COMMENTS: E-mail: info@sherex.com www.sherex.com Phone: 866-474-3739 Fax: 716-875-0358			SCALE: 2:1 WEIGHT: .0052 kg SHEET 1 OF 1